

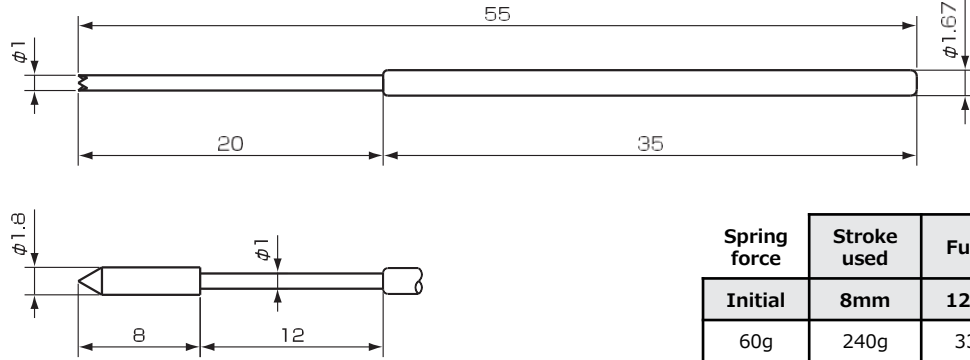
Probe specifications

Suitable pitch: 2.54mm
Current rating: 4A

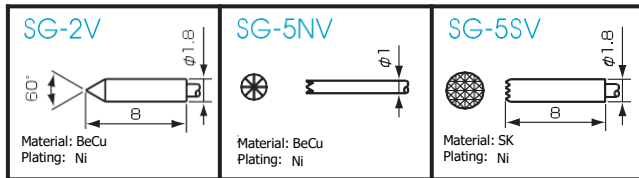
Material and Plating

Plunger Check below
Barrel PB / Ni
Spring SWP / Ni+Au
Receptacle body PB / Ni
Receptacle BS / Ni

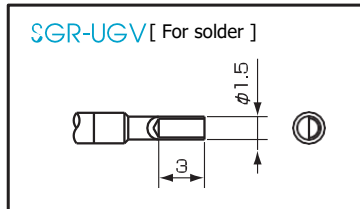
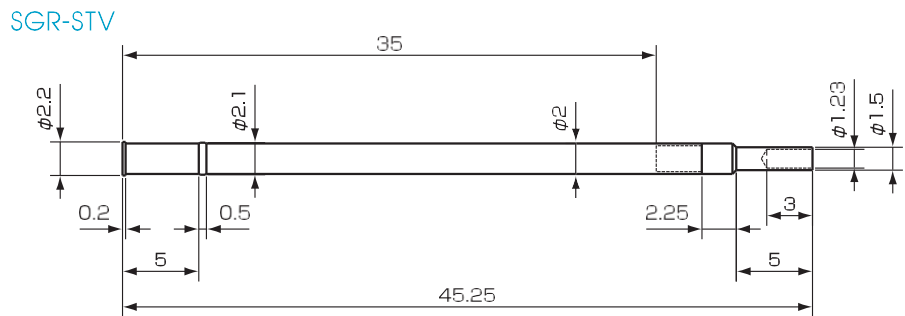
Probe line-up



Spring force	Stroke used	Full St
Initial	8mm	12mm
60g	240g	330g



Socket line-up



Reference hole diameter: $\phi 2.05$